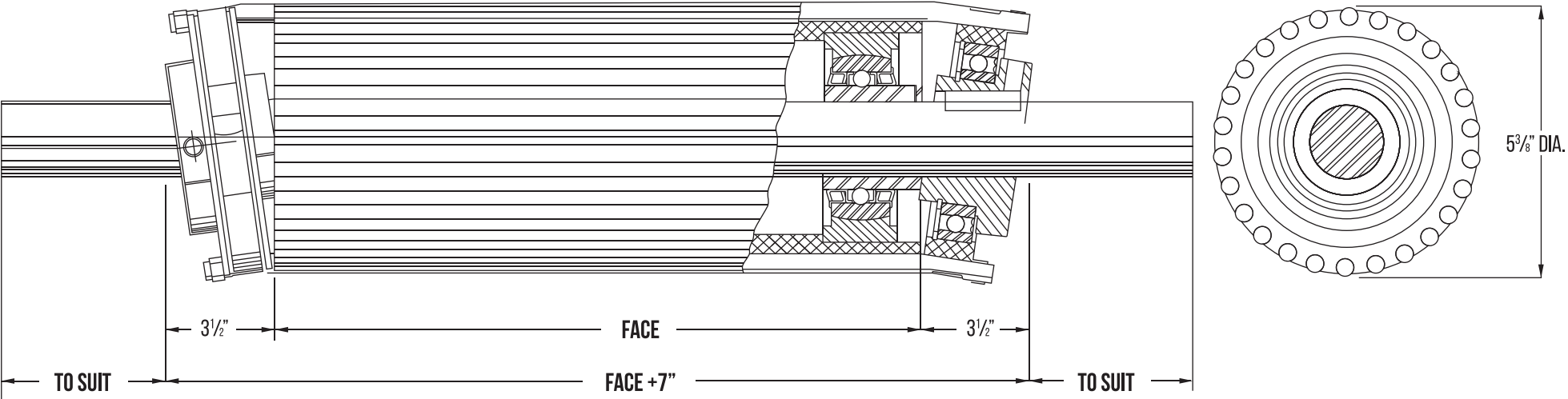




PASSAIC RUBBER COMPANY

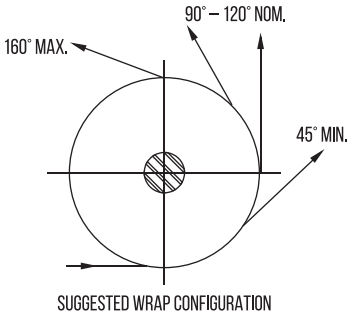
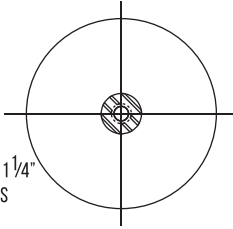
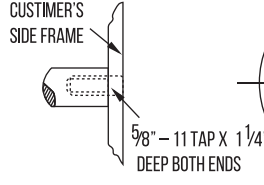
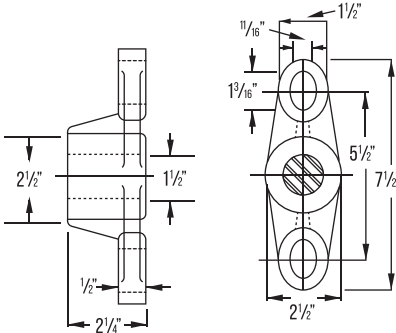
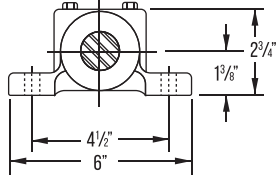
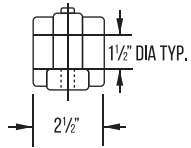
EXPANDER ROLL



TYPE 1
PILLOW BLOCK MOUNTING

TYPE 2
FLANGE MOUNTING

TYPE 3
FRAME MOUNTING



	WEB WIDTH IN INCHES*															
TYPE 1, 2, 3	30	31	36	42	46	48	54	60	66	72	78	80	84	86	90	96
LEMEX FACE WIDTH (Web Width +2")	32	33	38	44	48	50	56	62	68	74	80	82	86	88	92	98

* To convert from inches to millimeters, multiply by 25.4

GENERAL ORDERING DATA REQUIRED

Expander: Type _____ Max. Web Width _____ Face Open Dimensions _____ OA Shaft Dimension _____